

aquatica®

*Function, Form & Fashion*



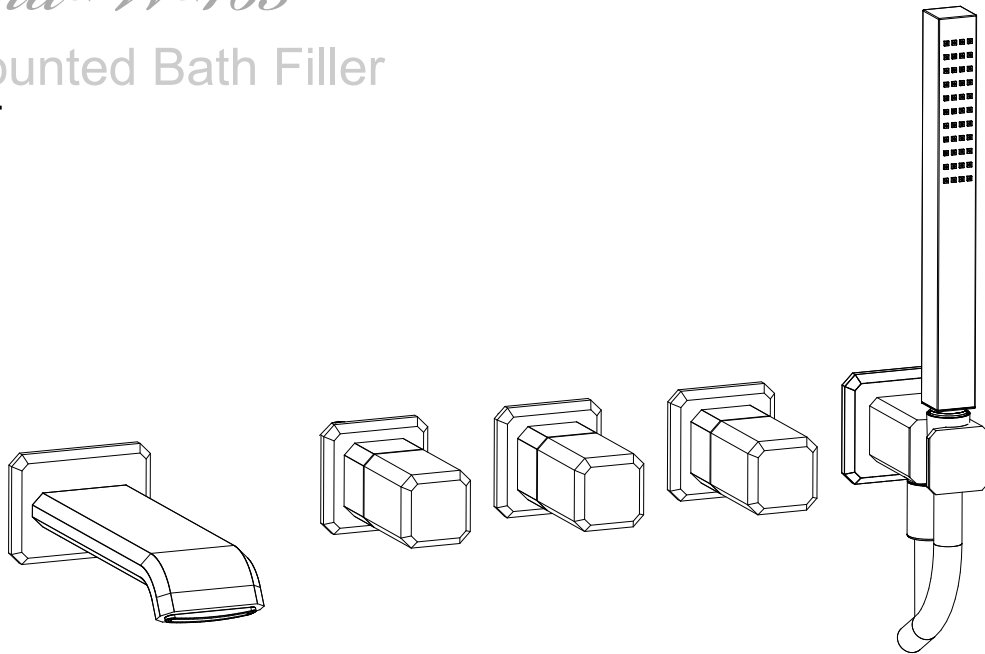
*Lorena-W-165*  
Wall Mounted Bath Filler

Installation & Care Manual  
Europe / International

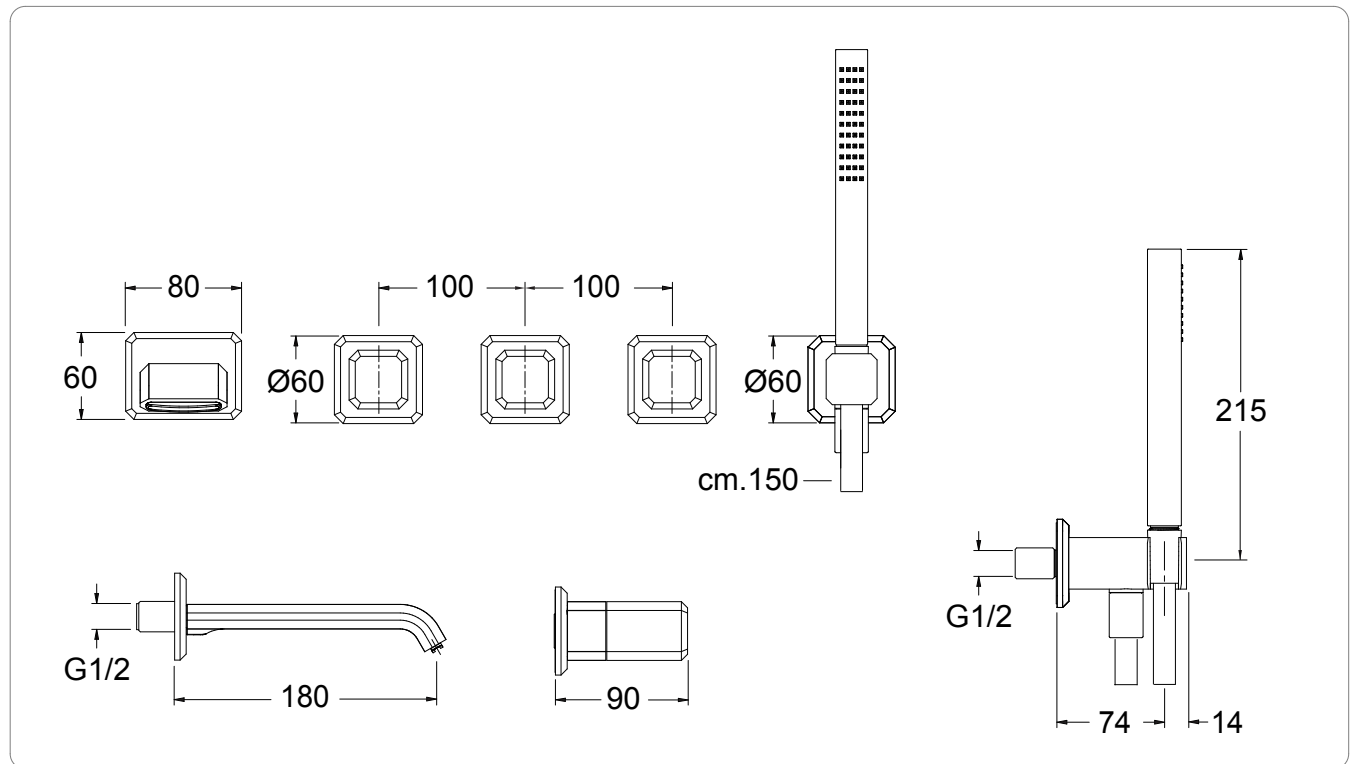
# Lorena-W-165

## Wall Mounted Bath Filler

### PARTS LIST



 MEASUREMENTS: mm



### SPECIFICATIONS

Recommended operational pressure .....	1-5 bar
Maximum test pressure .....	16 bar
Maximum hot water temperature .....	70 °C
Recommended temperature .....	50-60 °C
Pressure difference between hot and cold water .....	max. 1,5 bar

### IMPORTANT NOTE

- Installation to be performed by qualified personnel
- Before connecting to mains, bleed the pipes to avoid damage.



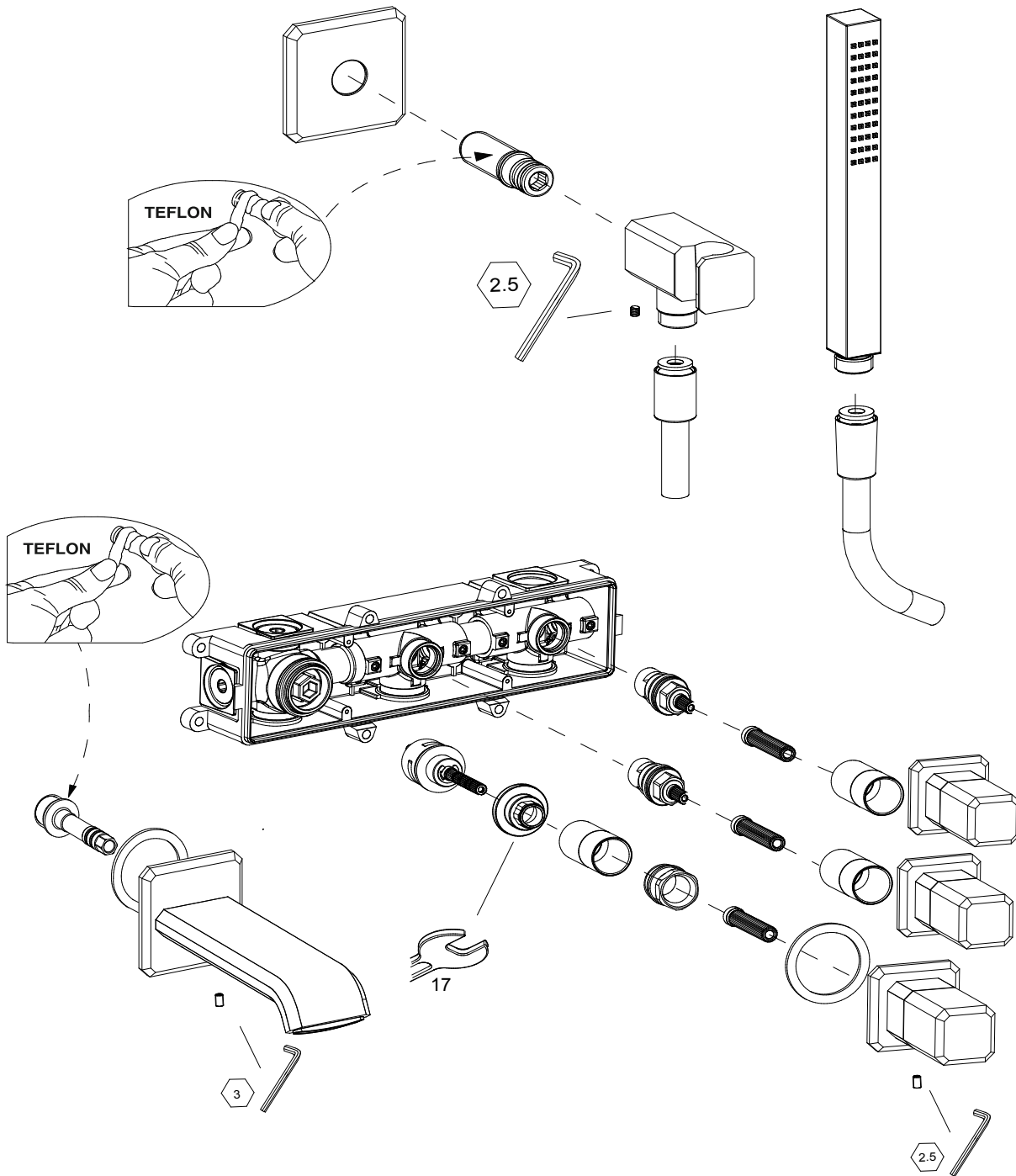
# Lorena-W-165

## Wall Mounted Bath Filler

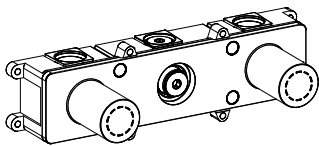
### INSTALLATION

aquatica®

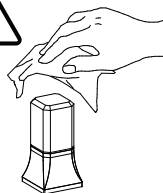
*Function, Form & Fashion*



CS 115



CS 115 This item set includes a concealed body (CS115) with an option of 2 or 3 outlets



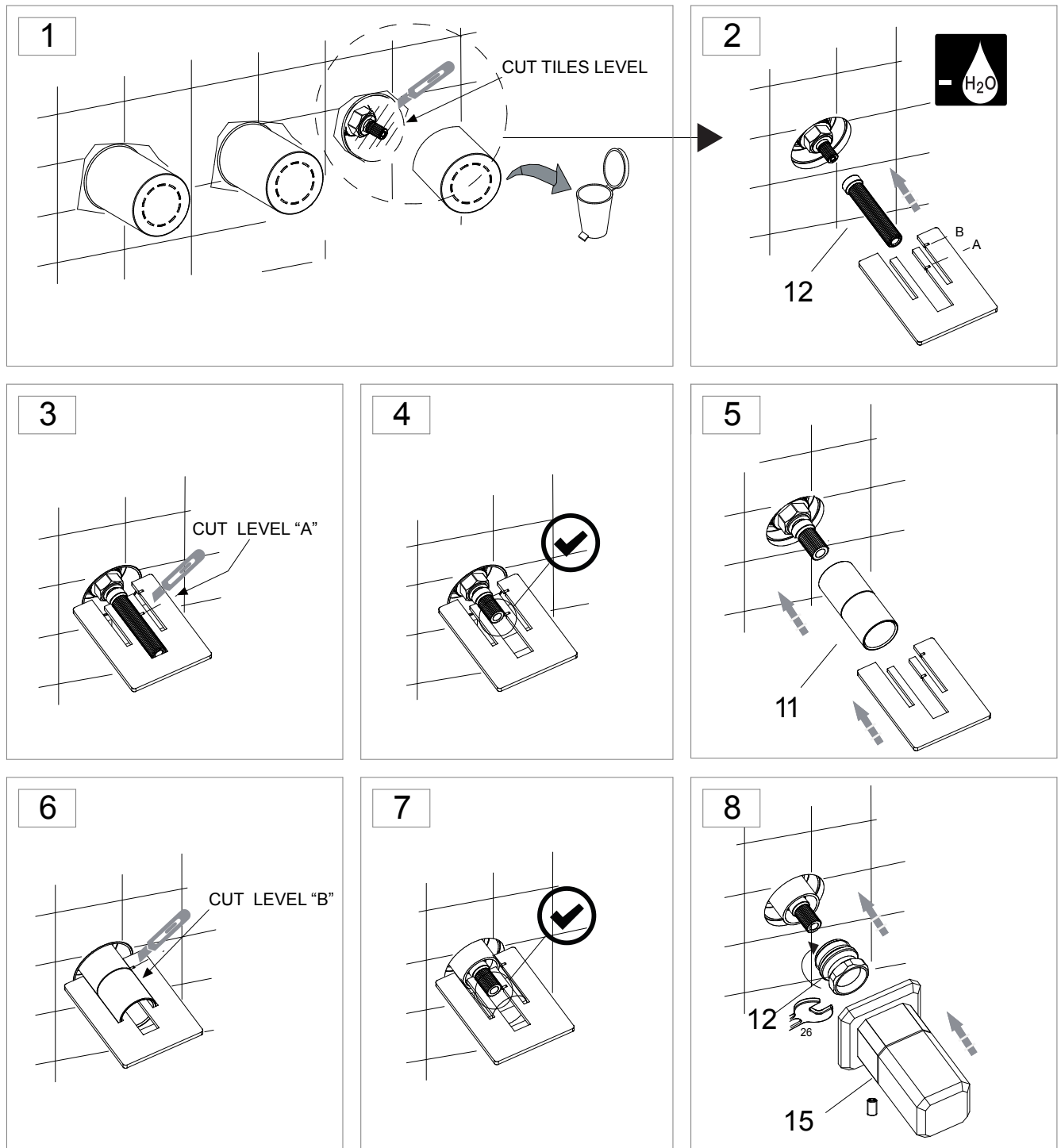
For marble handles cleaning, use a specific detergent

aquatica®  
*Function, Form & Fashion*

# Lorena-W-165

## Wall Mounted Bath Filler

### INSTALLATION



# aquatica®

*Function, Form & Fashion*

